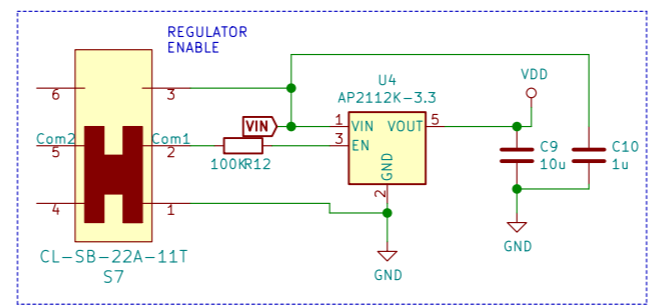
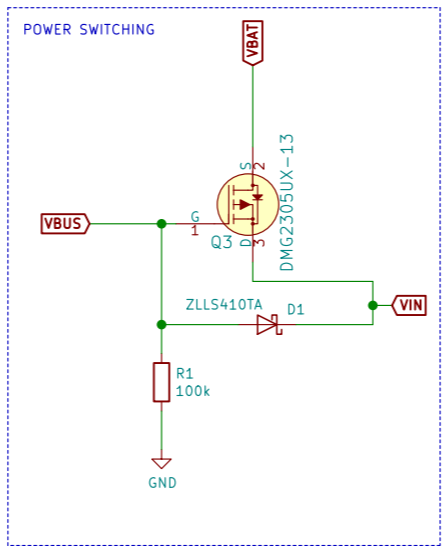
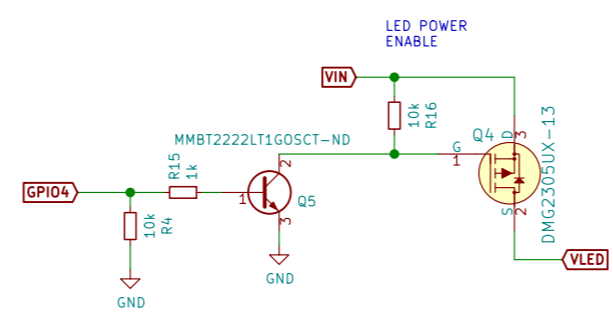
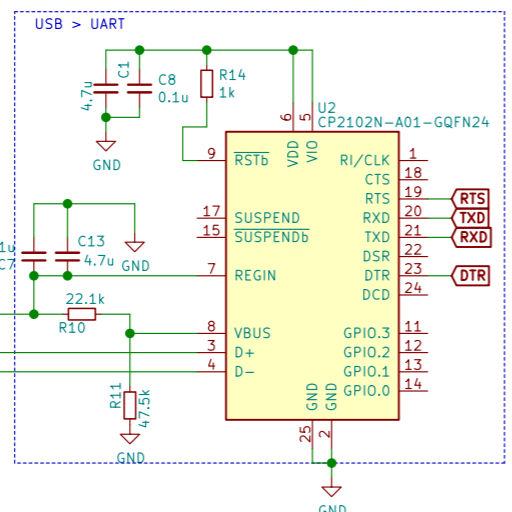
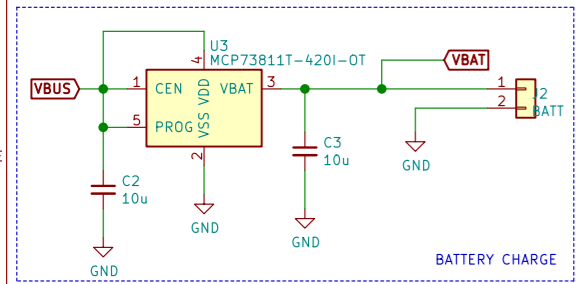
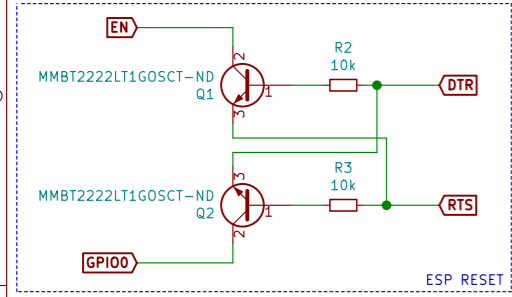


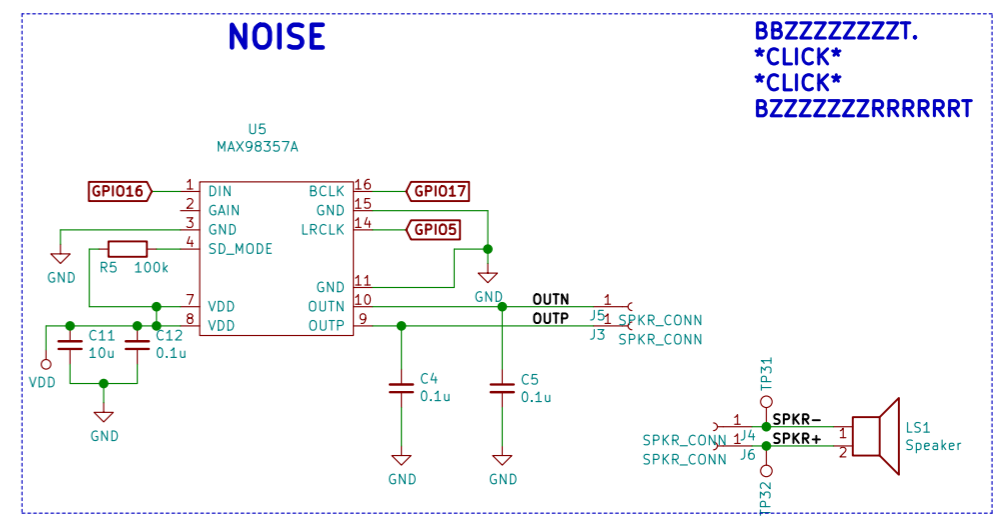
Sheet: Sheet5C4EC34D
File: LED5.sch



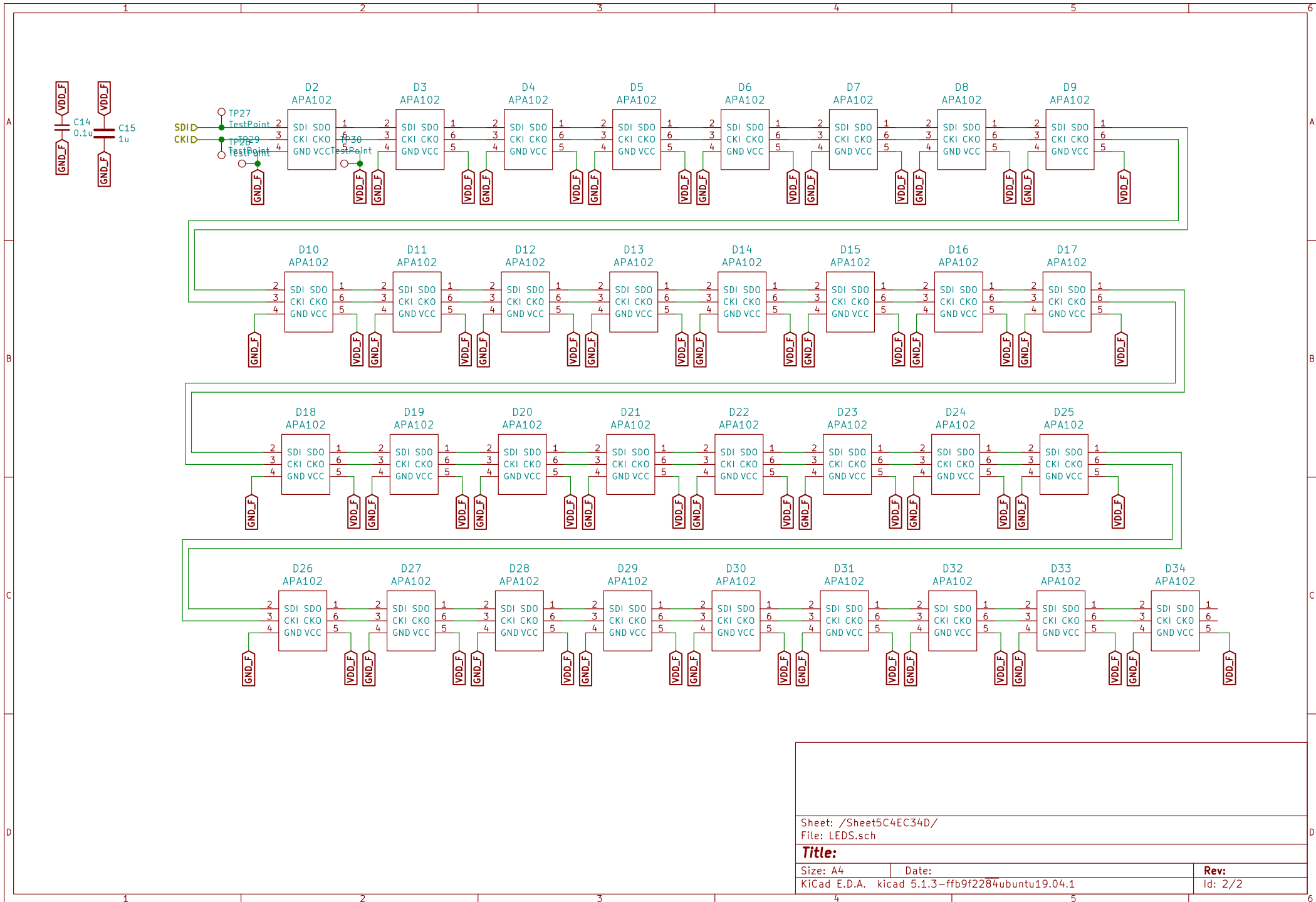
- TP1 → GND
- TP2 → VDD
- TP3 → EN
- TP4 → GPIO0
- TP7 → GPIO4
- TP8 → GPIO5
- TP9 → GPIO12
- TP10 → GPIO13
- TP11 → IO14
- TP12 → GPIO16
- TP13 → GPIO17
- TP14 → IO18
- TP15 → IO19
- TP16 → IO21
- TP17 → IO25
- TP18 → IO26
- TP19 → IO33
- TP20 → RTS
- TP21 → DTR
- TP22 → VBAT
- TP23 → VBUS
- TP24 → VIN
- TP25 → OUTN
- TP26 → OUTP



	BACK	SIDE	FRONT
TR	J26 GND ← VLED 1 I021 2 3 Conn_01x03	J27 1 2 3 BTN_TR VDD_TR GND_TR Conn_01x03 TRF_PG	J29 3 2 1 GND_F VDD_F GND_F TRF_PG
TL	J24 GND ← IO33 1 2 IO25 3 Conn_01x03	J23 3 TOUCH 2 GND_TL 1 BTN_TL Conn_01x03 TOUCH J42 1 GND_TL BF_GND	J43 1 GND_F BF_GND
MR	J37 1 IO18 2 IO19 Conn_01x02	SEE BUTTON BLOCK	J38 1 ANCH ANCH
ML	J34 1 IO26 2 IO14 Conn_01x02	SEE BUTTON BLOCK	J39 1 ANCH ANCH
LR	J15 VLED Conn_01x02 GND ← 2 1	J16 2 VDD_LR 1 GND_LR Conn_01x02	J17 2 VDD_LR 1 GND_LR Conn_01x02
LL	J11 VLED Conn_01x02 GND ← 2 1	J12 2 VDD_LL 1 GND_LL Conn_01x02	J13 2 VDD_LL 1 GND_LL Conn_01x02
B	SEE NOISE BLOCK	SEE NOISE BLOCK	J32 1 ANCH ANCH
T	J19 GPIO12 1 BAK_CKI J20 GPIO13 1 BAK_SDI	J18 TOP_IN_SDI J10 TOP_OT_SDI TOP_SDI J9 TOP_IN_CKI TOP_OT_CKI	J21 FNT_SDI FNT_CKI J22 FNT_CKI



BBZZZZZZZZT.
CLICK
CLICK
BZZZZZZRRRRRT



Sheet: /Sheet5C4EC34D/
 File: LEDES.sch

Title:

Size: A4

Date:

KiCad E.D.A. kicad 5.1.3-ffb9f2284ubuntu19.04.1

Rev:

Id: 2/2